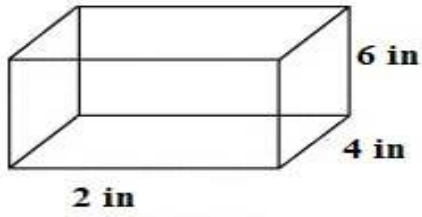


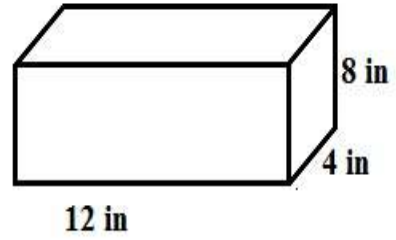
Volume of Rectangular Prisms

worksheet 5

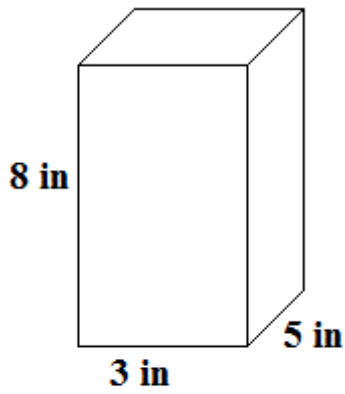
Find the volume of each rectangular prism.



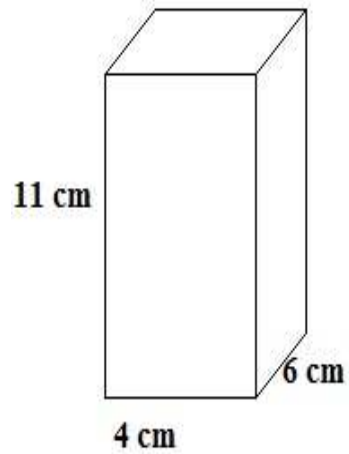
V _____



V _____



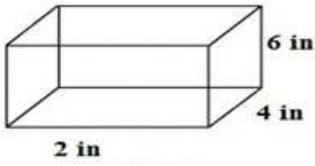
V _____



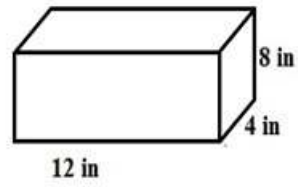
V _____

Volume of Rectangular Prisms

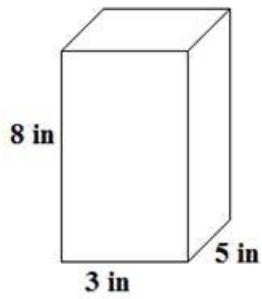
worksheet 5 answers



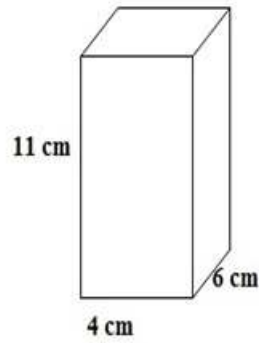
v 48 cm³



v 384 cm³



v 120 cm³



v 264 cm³